

# CX series CX12 CX12A

## Two-way Loudspeaker System

The **CX12** is a two-way structure plastic cabinet system with waterproof and sunscreening housing. Fitted with one 12" woofer and one 1"(25mm)exit compression driver coupled to a 90°×60° horn.

CX12是一款12寸两分音全音域工程塑胶音箱。采用一只12寸高效率低音单元，一只1寸喇叭口25芯高分子聚酯膜高音驱动器，箱体采用工程塑胶注塑而成。CX12A是在CX12的基础上配置250W模拟功放组件成为有源音箱。



pro audio

### FEATURES

- Strong plastic cabinet
- Molded-in 90°×60° horn
- High power output
- Structure plastic cabinet, waterproof and sunscreening

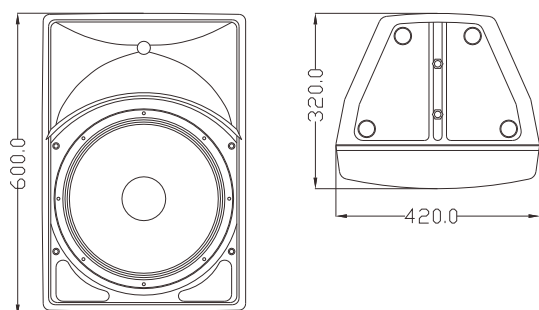
### 产品特征

- 高质量单元配置,工程塑胶箱体,适合全天候使用
- 多吊挂点与支撑配合,可以固定安装与流动使用
- 超长品质保证期: 品质与信心的保证

### 适用范围

- 用于全音域扩声、语言会议系统
- 小型室内外扩声，流动演出

### CONFIGURATION



#### MODEL

**FREQUENCY RESPONSE(-3dB)**

**FREQUENCY RESPONSE(-10dB)**

**DRIVERS**

**RATED POWER**

**SENSITIVITY**

**MAXIMUM SPL**

**IMPEDANCE**

**DISPERSION(-6dB)**

**CROSSOVER FREQUENCIES**

**INPUT CONNECTORS**

**PACKAGE SIZE**

**NET WEIGHT**

**GROSS WEIGHT**

#### CX12

40Hz-20kHz

35Hz-20kHz

1×12"(300mm)/2.5" voice coil LF

1×1"(25mm)/ 1"voice coil HF

250W RMS,1000W peak

96dB 1watt/1 metre

120 dB continuous,126 dB peak

8 ohms nominal

90°×60°

2.2kHz passive

2×Speakon NL4

465mmx385mmx675mm

15 kg/pc

17 kg/pc

#### CX12A

40Hz-20kHz

35Hz-20kHz

1×12"(300mm)/2.5" voice coil LF

1×1"(25mm)/ 1"voice coil HF

250W RMS

/

120 dB continuous,126 dB peak

Line 20k ohm Mic: 2k ohm

90°×60°

/

/

465mmx385mmx675mm

19 kg/pc

22 kg/pc